

BALL CAPS™



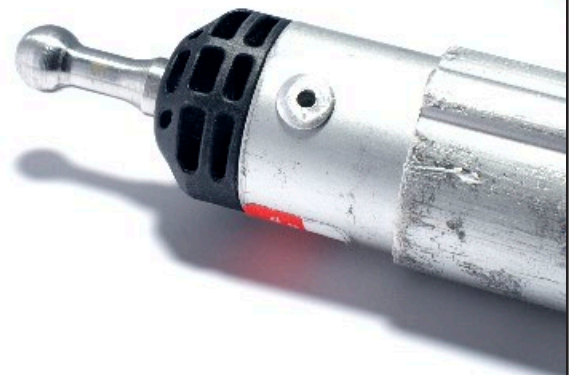
Allowing a full range of motion for drape support rods, the Ball Caps™ play a major role in time savings and flexibility during set up. Made from a virtually indestructible nylon compound molded around a steel stud, the Ball Cap™ distributes forces evenly through precisely engineered webbing. A feature that provides connection stability and strength never before seen in a pipe and drape system.

Designed to fit the most popular cross bars in the market. This means that converting your inventory is one of the easiest upgrades you'll ever make. Simply remove the old hook cap and replace it with the Pipe & Base 2.0™ Ball Cap™. Now you'll never have to deal with torn up slots again.

Ball Caps™ must be used in conjunction with Pipe & Base 2.0™ Crowns™.



Large and Small Ball Caps™
Patent No.: US 9,211,027 B2



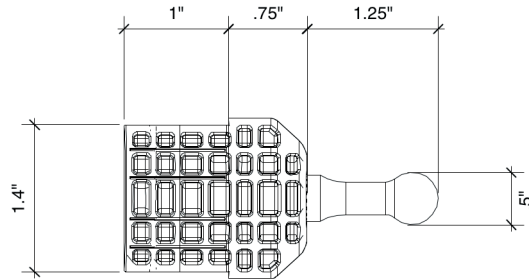
Large (left) and small (right) Ball Caps™ mounted to standard telescoping cross bar (slider)



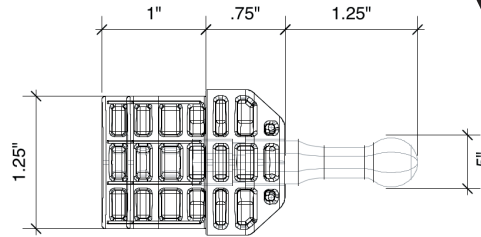
VERSATOP™
SUPPORT SYSTEMS, LLC

3935 West Reno Ave, Suite C • Las Vegas, NV 89118
(p): 702-982-3311 • sales@versatop.com • www.versatop.com

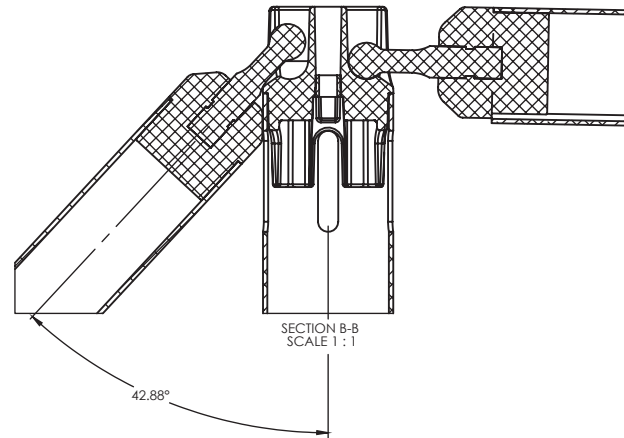
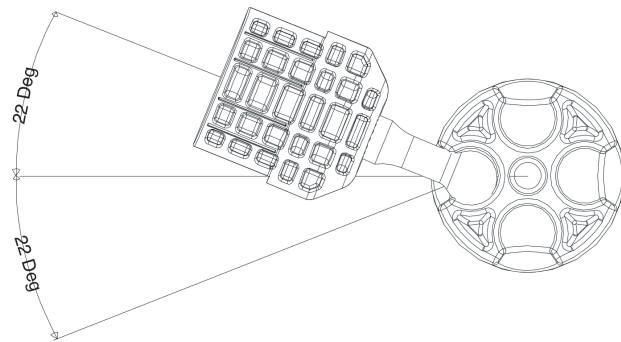
BALL CAPS™



Large Ball Cap



Small Ball Cap



Specifications:

Part Number:	111-110200	111-110100
Fits:	Large End of Cross Bar	Small End of Cross Bar
Composition:	Reinforced fiber infused nylon compound designed for maximum wear resistance and shape retention. Molded around steel Ball Stud™.	
Weight:	2oz [56.699g]	
Length:	3 in [7.62cm]	3 in [7.62cm]
Width:	1.4-1.58 in [3.556-4.0132cm]	1.25 -1.35 in [3.175-3.429cm]
Installation Method:	One 1" Steel mandrel multi-grip Pop Rivet per Ball Cap™.	
Socket Type:	NA	
Lateral Socket Articulation:	44° in Crown	44° In Crown
Vertical Socket Articulation:	43° (Down) 100° (Up)	43° (Down) 100° (Up)
Operating Temperature Range:	(-)34 C - (+)65 C	(-)34 C - (+)65 C
Supported Weight Limit:	*20 pounds per Ball Cap [9.07kg]	*20 pounds per Ball Cap [9.07kg]

*Weight limits are based on vertical downward force while cross bar is supported between two uprights using the Versatop Crown™. Never exceed listed maximum weight limits. If using Versatop Support Systems components with components from other manufacturers, user should consult the manufacturers operating instructions for limitations. Limits for uprights or cross bars may be much lower than the limits for the Crown™ and Ball Caps™. Always adhere to the safe weight limits provided by the pipe hardware manufacturer.

Ball Cap™ Must Be Used in conjunction with Versatop Support Systems approved Crown™ that is properly secured to the upright. Never exceed listed maximum weight limits.



VERSATOP™
SUPPORT SYSTEMS, LLC

3935 West Reno Ave, Suite C • Las Vegas, NV 89118
(p): 702-982-3311 • sales@versatop.com • www.versatop.com