

# HD ANGLE MOUNTED CROWN™



The Pipe & Base 2.0™ Angle Mounted Crown™ has proven to be one of the most versatile tools in our product line. Delivered with pre-drilled holes for attachment, the Angle Mounted Crown™ gives users many options when setting up drape.

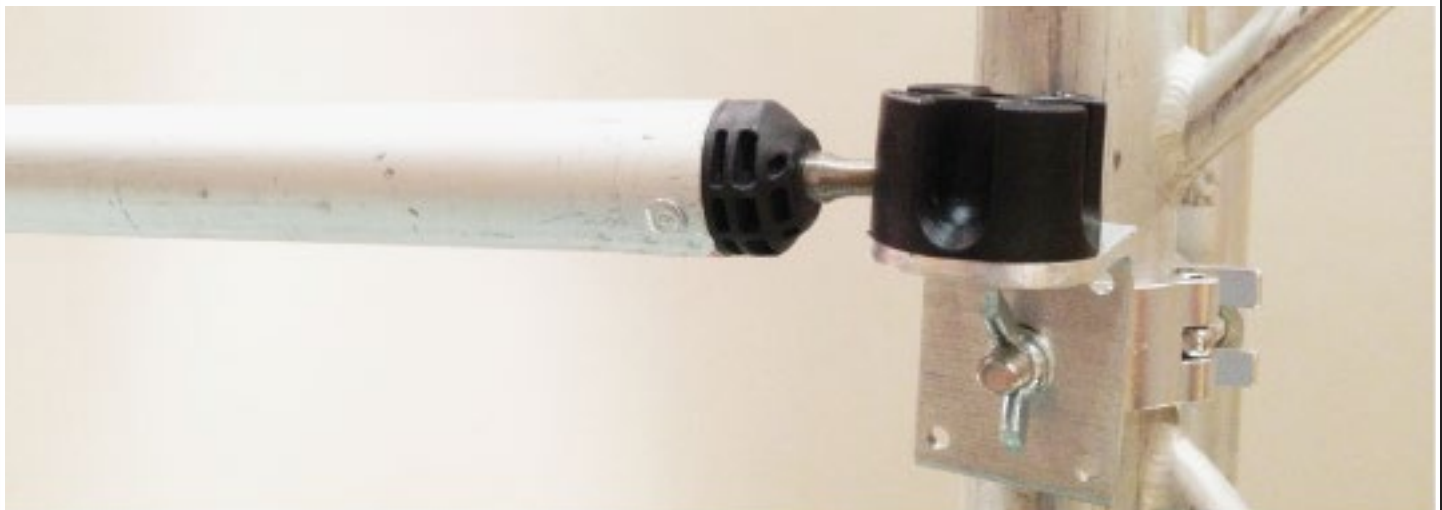
Attach the Angle Mounted Crown™ to a clamshell clamp or cheeseborough for a variety of connection options. Use the Angle Mounted Crown™ to wrap truss with drape while still allowing clamp access to the truss structure.

Secure the Angle Mounted Crown™ to a wall in a permanent installation to create doorways or draped off areas without the need for uprights or bases.

Designed to give users ultimate flexibility when using Pipe & Base 2.0™ products. Must be used in conjunction with Pipe & Base 2.0™ Ball Caps™.



**Angle Mounted Crown™**  
Patent No.: US 9,211,027 B2



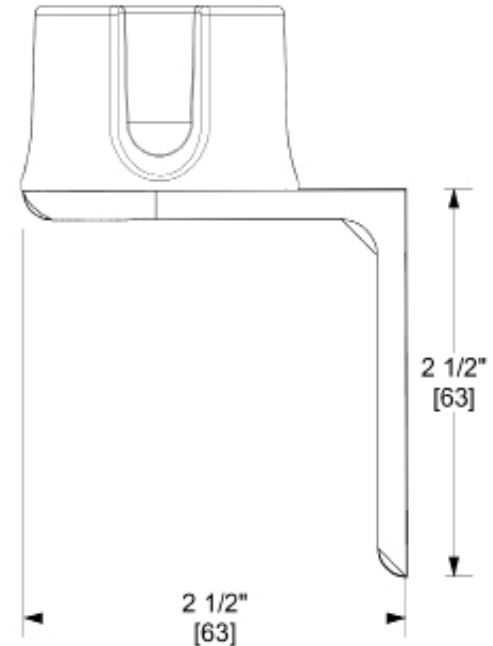
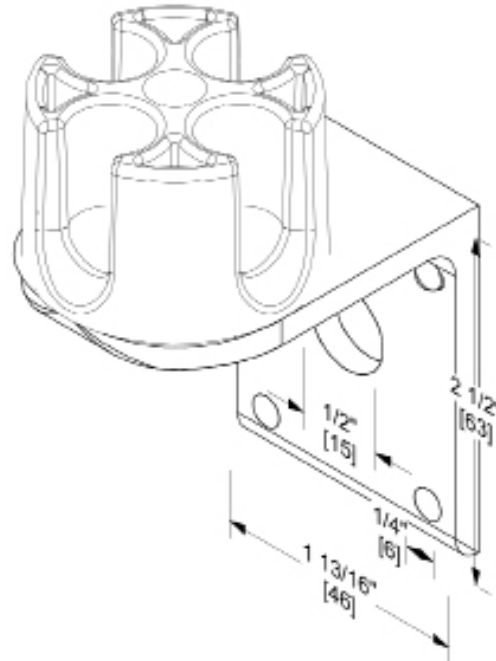
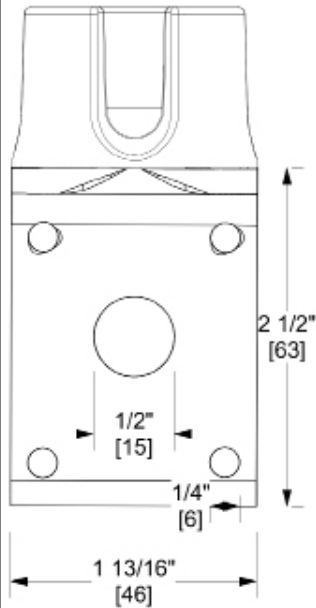
**Angle Mounted Crown™ attached to truss using a clamshell clamp**



**VERSATOP™**  
SUPPORT SYSTEMS

3935 West Reno Ave, Suite C • Las Vegas, NV 89118  
(p): 702-982-3311 • sales@versatop.com • www.versatop.com

# HD ANGLE MOUNTED CROWN™



## Specifications:

Part Number:	100-950050	100-950060
Configuration:	Swivel Crown™ with pre-drilled holes	Fixed Crown™ with pre-drilled holes
Composition:	Angle Bracket™: 6061 T6 Aluminum. Crown™: Fiber infused nylon compound designed for maximum wear resistance and shape retention.	
Weight:	4oz.	
Length:	2.5 in	
Width:	1.8 in	
Height:	3.25 in (with Crown™)	
Socket Type:	Tapered .50 x 1.125 in	
Lateral Articulation:	44°	
Vertical Articulation:	43° (Down) 100° (Up)	
Operating Temperature Range:	(-)30 de F - (+)150 deg F	
Supported Weight Limit:	*15 lbs per socket / maximum of 30 lbs total cumulative weight	

\* Never exceed listed maximum weight limits. If using Versatop Support Systems components with components from other manufacturers, user should consult the manufacturers operating instructions for limitations. Limits for other manufacturers products may be much lower than the limits for the Angle Mounted Crown™ or clamp. Always adhere to the safe weight limits provided by the pipe hardware manufacturer. If using a clamp, never exceed the clamp manufacturers maximum load limits.

## Center Threaded Insert Usage:

Threaded insert is provided for practical use to secure Versatop Support Systems approved attachments. Usage for purposes other than approved by Versatop Support Systems is at users own risk.



**VERSATOP™** 3935 West Reno Ave, Suite C • Las Vegas, NV 89118  
SUPPORT SYSTEMS (p): 702-982-3311 • sales@versatop.com • www.versatop.com