

# THE SIDEARM™



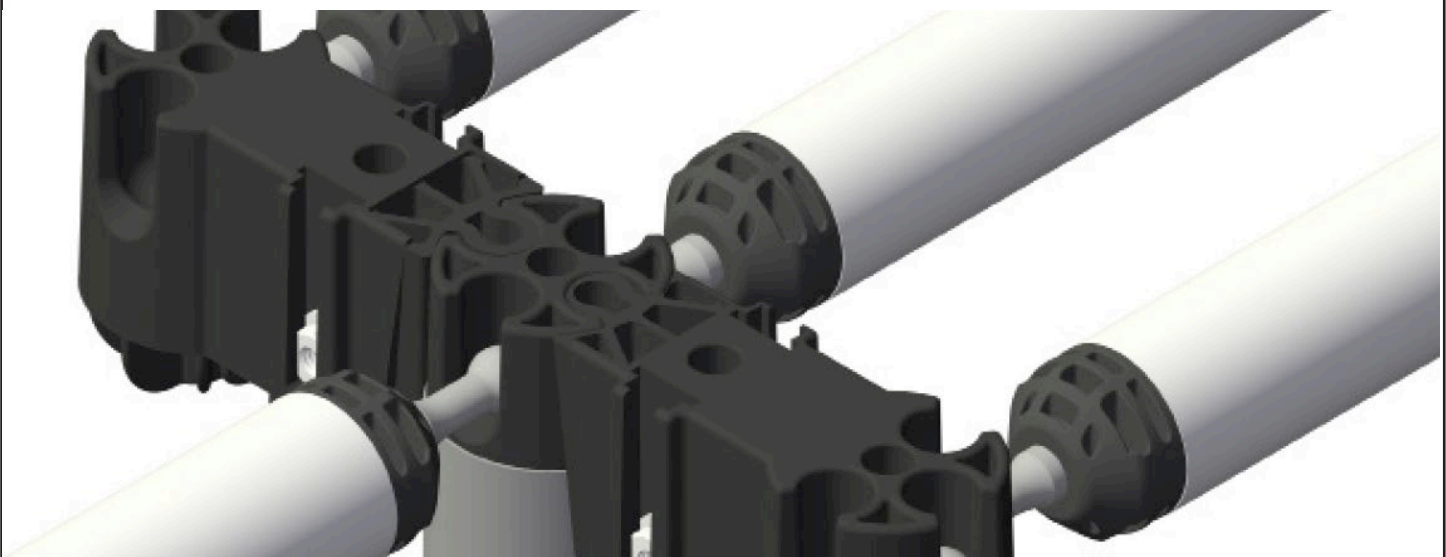
The Pipe & Base 2.0™ Sidearm™ is the best solution to safely and easily install multiple drape lines to a single upright. Molded with a structurally reinforced body and an extended Crown™ approximately three inches from the connection point. This allows simple and secure installation of an additional drape line or valance to your next set.

The Sidearm™ also gives users the ability to attach lightweight accessories directly to the body. By using one of the “flange nut” rails on either side, users have a wide variety of attachment options. In addition, there are two 1/4” threaded inserts accessible from the top.

For adding another drape line or decoration, the Sidearm™ is built to be a versatile addition to your Pipe & Base 2.0™ solution.



**The Sidearm™**  
Patent No.: US 9,211,027 B2



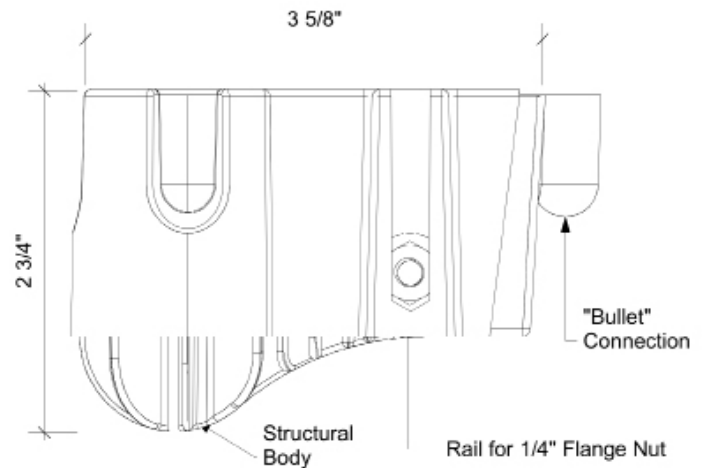
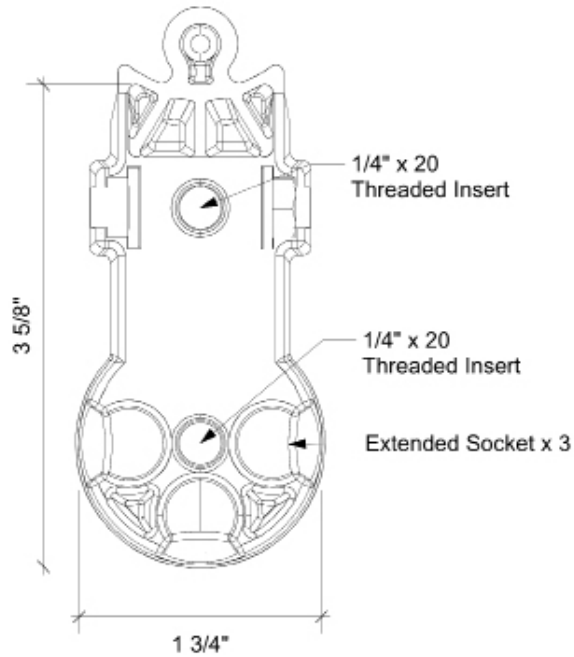
**Two Sidearms™ connected to a single upright. Illustrated with a triple drape line**



**VERSATOP™**  
SUPPORT SYSTEMS

3935 West Reno Ave, Suite C • Las Vegas, NV 89118  
(p): 702-982-3311 • sales@versatop.com • www.versatop.com

# THE SIDEARM™



## Specifications:

Part Number:	111-240970
Fits:	All Versatop Pipe & Base 2.0™ Crowns™
Composition:	Reinforced fiber infused nylon compound designed for maximum wear resistance and shape retention.
Weight:	2oz
Length:	3.75 in Overall
Width:	1.75 In
Collar Inside Diameter:	NA
Socket Type:	Tapered .50 x 1.125 in
Lateral Socket Articulation:	44° (22° each direction)
Vertical Socket Articulation:	45° (Down) 100°+ (Up)
Operating Temperature Range:	(-)30 de F - (+)150 deg F
Supported Weight Limit:	Sockets: *15 pounds per socket / maximum 30 lbs cumulative weight total. Flange Nut Rails: 6 in/lbs Max dead hang (2 lbs extended 3 inches from rail face)

\* Never exceed listed maximum weight limits. If using Versatop Support Systems components with components from other manufacturers, user should consult the manufacturers operating instructions for limitations. Limits for uprights or cross bars may be much lower than the limits for the Crown™. Always adhere to the safe weight limits provided by the pipe hardware manufacturer.

**Flanged Nut Rails and Center Threaded Insert Usage:** Sidearm™ MUST be used with a Pipe & Base 2.0™ Crown™ that is properly secured to the upright. Threaded insert is provided for practical use to secure Versatop Support Systems approved attachments. Usage for purposes other than approved by Versatop Support Systems is at users own risk.



**VERSATOP™**  
SUPPORT SYSTEMS

3935 West Reno Ave, Suite C • Las Vegas, NV 89118  
(p): 702-982-3311 • sales@versatop.com • www.versatop.com