

# SHOULDER MOUNT™



The perfect solution for securing lightweight accessories to your uprights. The Shoulder Mount™ allows users to add a wide variety of elements to drape lines. From curtain swags, to exit signs, you can secure just about any lightweight accessory with the Pipe & Base 2.0™ Shoulder Mount™.

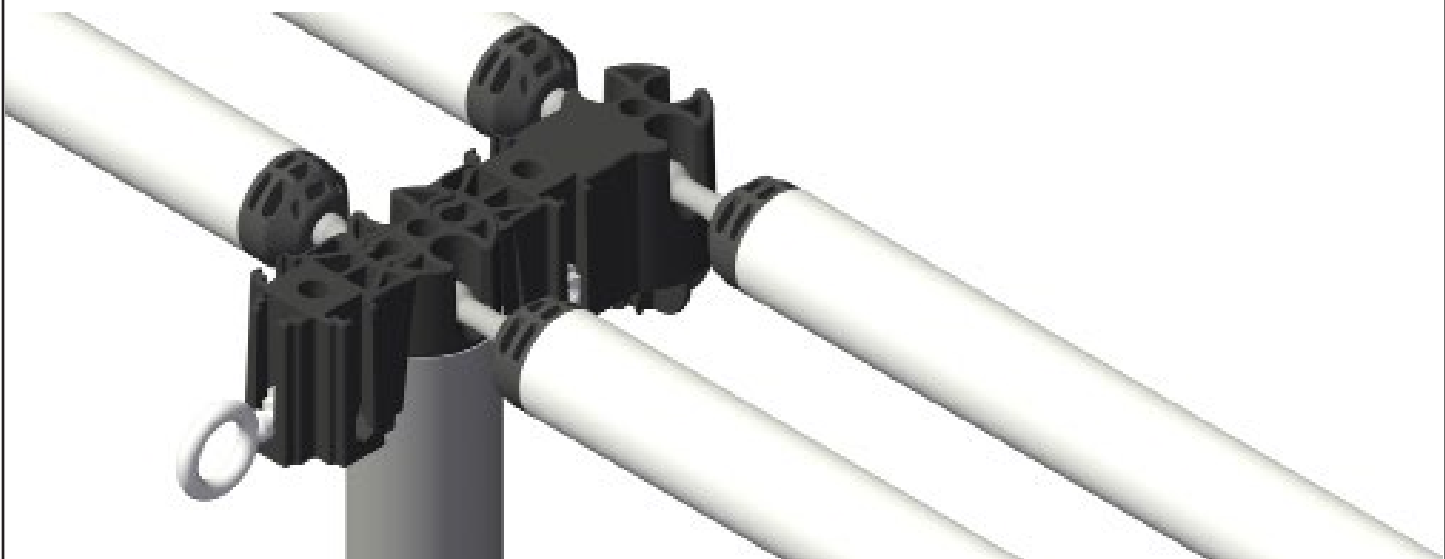
Utilizing one of the three 1/4" "flange nut" rails on the body, you have the ability to adapt to any need. Add eyelets, hooks, carabiner clips, exit signs, \*lightweight LED fixtures, and more.

In addition there is a single 1/4" threaded insert accessible from the top for added functionality and security. The Shoulder Mount™ is built to be a versatile addition to your Pipe & Base 2.0™ solution.

Must be used in conjunction with Pipe & Base 2.0™ Crowns™.



Shoulder Mount™  
Patent No.: US 9,211,027 B2



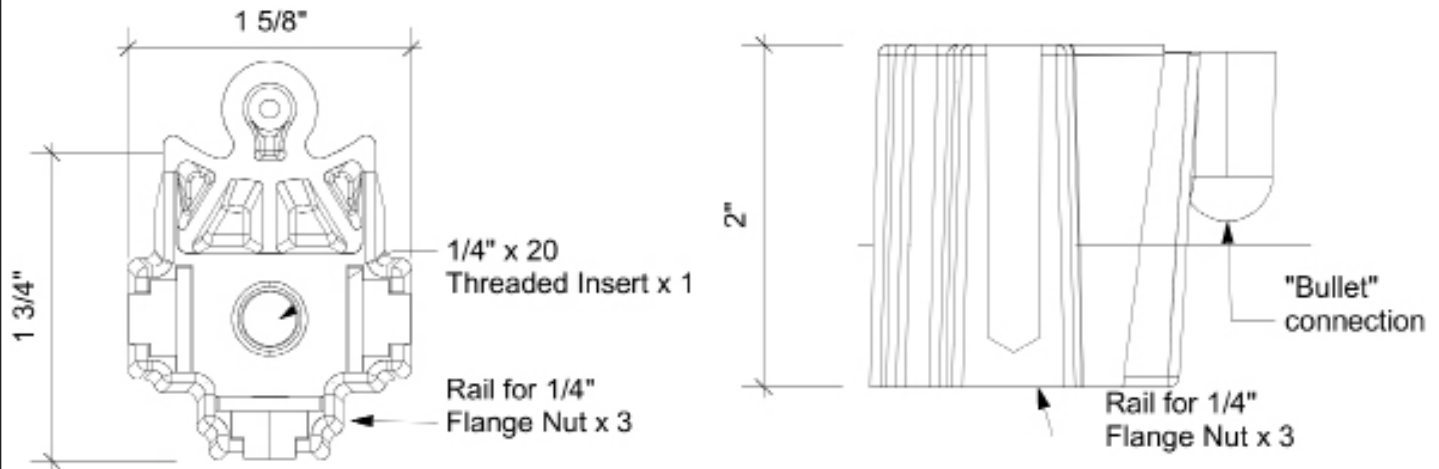
Shoulder Mount™ illustrated with eyelet for a tether. Connected to a single upright with dual drape line



**VERSATOP™**  
SUPPORT SYSTEMS

3935 West Reno Ave, Suite C • Las Vegas, NV 89118  
(p): 702-982-3311 • sales@versatop.com • www.versatop.com

# SHOULDER MOUNT™



## Specifications:

Part Number:	111-340980
Fits:	All Versatop Pipe & Base 2.0™ Crowns™
Composition:	Reinforced fiber infused nylon compound designed for maximum wear resistance and shape retention.
Weight:	2oz
Length:	2 in Overall
Width:	1 5/8 In
Collar Inside Diameter:	NA
Socket Type:	Tapered .50 x 1.125 in
Lateral Socket Articulation:	NA
Vertical Socket Articulation:	NA
Operating Temperature Range:	(-)30 de F - (+)150 deg F
Supported Weight Limit:	Flange Nut Rails: 6 in/lbs Max dead hang per Rail (2 lbs extended 3 inches from rail face) 35lbs MAXIMUM Total cumulative weight.

\* Never exceed listed maximum weight limits. If using Versatop Support Systems components with components from other manufacturers, user should consult the manufacturers operating instructions for limitations. Limits for uprights or cross bars may be much lower than the limits for the Shoulder Mount and Crown. Always adhere to the safe weight limits provided by the pipe hardware manufacturer.

## Flange Nut Rails and Center Threaded Insert Usage:

Threaded insert is provided for practical use to secure Versatop Support Systems approved attachments. Usage for purposes other than approved by Versatop Support Systems is at users own risk. See Versatop Support Systems disclaimer of liability for more information.



**VERSATOP™**  
SUPPORT SYSTEMS

3935 West Reno Ave, Suite C • Las Vegas, NV 89118  
(p): 702-982-3311 • sales@versatop.com • www.versatop.com