

CROWNS™



The heart and soul of Pipe & Base 2.0™, the Crown™ offers more than meets the eye. Packed with engineering, it includes four precisely tapered sockets to support cross bars outfitted with Pipe & Base 2.0™ Ball Caps™. In addition, a convenient 1/4" threaded insert is built into the center of the unit. Using a specific formula, the Crown™ is built to withstand the most abusive environments and will give you years of use.

The Crown™ is available for the most popular upright sizes in the market. This makes the conversion of your inventory one of the easiest upgrades ever. Simply remove or repair the damaged end of your uprights and secure Pipe & Base 2.0™ Crowns™. It will be the best investment you'll ever make.

Crowns™ must be used in conjunction with Pipe & Base 2.0™ Ball Caps™.



Standard 2-Stage Crown™
Patent No.: US 9,211,027 B2



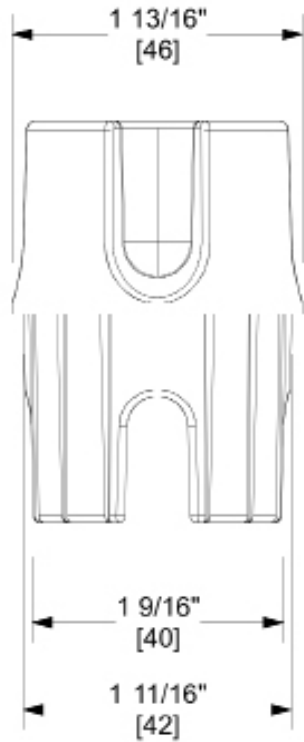
Pipe & Base 2.0™ Crown™
Mounted to a Repaired 2-Stage
Upright



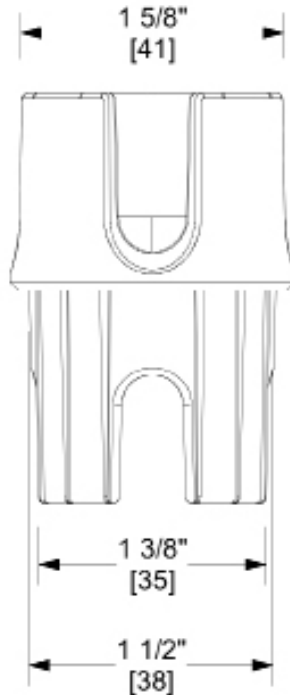
VERSATOP™
SUPPORT SYSTEMS, LLC

3935 West Reno Ave, Suite C • Las Vegas, NV 89118
(p): 702-982-3311 • sales@versatop.com • www.versatop.com

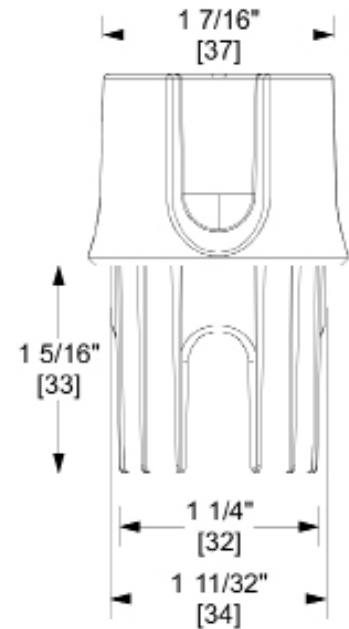
CROWNS™



2-STAGE CROWN™



3-STAGE CROWN™



DECO CROWN™

Specifications:

Part Number:	111-102000	111-103000	111-101000
Fits Popular Un-Notched Upright:	Standard 2-stage	Standard 3-stage	Standard 8' light duty (Deco)
Composition:	Fiber infused nylon compound designed for maximum wear resistance and shape retention.		
Weight:	2oz [56g]	2oz. [56g]	2oz. [56g]
Length:	2.5 in [6.35cm]	2.45 in [6.2cm]	2.5 in [6.35cm]
Outer Diameter (pipe insertion):	1.66-1.70 in [4.21-4.31 cm]	1.45-1.5 in [3.68-3.81 cm]	1.35-1.4 in [3.42 -3.55cm]
Collar Inside Diameter:	NA	NA	NA
Socket Type:	Tapered 1.27 x 2.85 cm	Tapered 1.27 x 2.85 cm	Tapered 1.27 x 2.85 cm
Lateral Articulation:	44°	44°	44°
Vertical Articulation:	43° (Down) 100° (Up)	43° (Down) 100° (Up)	43° (Down) 100° (Up)
Operating Temperature Range:	(-)34 C - (+)65 C	(-)34 C - (+)65 C	(-)34 C - (+)65 C
Supported Weight Limit:	*35 lbs per socket /105 lbs Crown total *15 kg per socket / 47 kg Crown total	*35 lbs per socket /105 lbs Crown total *15 kg per socket / 47 kg Crown total	* 20 lbs per socket /60 lbs Crown total *15 kg per socket / 47 kg Crown total

*Weight limits are based on vertical downward resting totals. Never exceed listed maximum weight limits. If using Versatop Support Systems components with components from other manufacturers, user should consult the manufacturers operating instructions for limitations. Limits for uprights or cross bars may be much lower than the limits for the Crown™. Always adhere to the safe weight limits provided by the pipe hardware manufacturer.

Center Threaded Insert Usage:

Threaded insert is provided for practical use to secure Versatop Support Systems approved attachments. Usage for purposes other than approved by Versatop Support Systems is at users own risk.



VERSATOP™
SUPPORT SYSTEMS, LLC

3935 West Reno Ave, Suite C • Las Vegas, NV 89118
(p): 702-982-3311 • sales@versatop.com • www.versatop.com